

Industrial Basket Strainers NDBS Series

Property of Clear Lake Filtration
Proprietary and Confidential.

Inlet/Outlet Size RF Flange	(1")	(1-1/2")	(2")	(2-1/2")	(3")	(4")	(6")	(8")
Housing O.D. Pipe Size:	3.00"	3.00"	3.00"	4.00"	6.00"	6.00"	8.00"	10.00"
Basket Diameter:	2.00"	2.00"	2.00"	3.25"	4.00"	4.00"	5.50"	7.50"
Basket Length:	3.00"	4.00"	5.00"	5.00"	6.00"	7.00"	12.00"	16.00"
Drain Size:	3/4"	3/4"	1"	1"	1-1/2"	1-1/2"	2"	2"
W:	9.63"	9.88"	10.00"	11.75"	13.88"	13.88"	16.50"	19.25"
H1:	3.33"	4.00"	4.50"	5.00"	5.25"	6.00"	7.13"	8.50"
H2:	6.75"	8.13"	9.63"	10.13"	11.50"	13.25"	19.25"	16.13"
H3:	5.00"	6.00"	7.00"	7.38"	9.25"	10.25"	15.13"	19.88"
H:	11.50"	12.88"	9.63"	10.13"	11.50"	19.25"	25.38"	31.50"

Pressure Drop Calculation

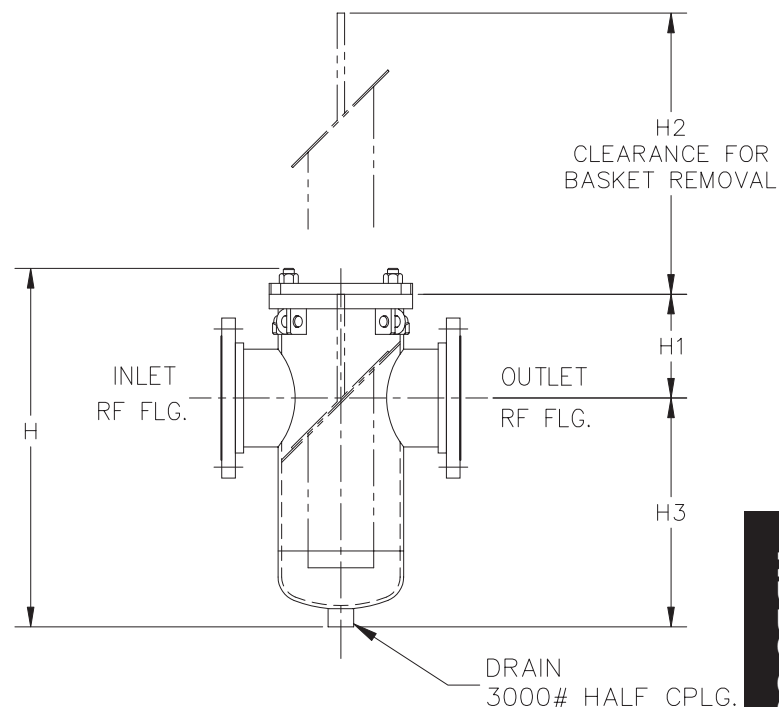
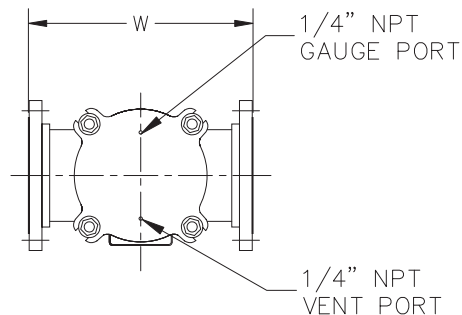
$$\Delta P = \left[\frac{Q}{C_v} \right]^2$$

ΔP = Pressure Drop (psi)
 Q = Flow Rate (gpm)
 C_v = Flow Coefficient

Cv Factors*

Flange Size (1") (1-1/2") (2") (2-1/2") (3") (4") (6") (8")
23 48 75 126 185 350 910 1425

*Water with Clean Perforated Basket



NDBS Series

Building a Model Number

Ordering is easy when you follow the Model Number Builder below. Reading from left to right, select which specifications you require and fill in the box with the code for that option.

NDBS

This portion of the model is already completed for you.

NDBS = Industrial Basket Strainer

Material

- A 304L
- B 316L
- C Carbon Steel
- D H-C276
- E Titanium

Basket Material

- A 304L
- B 316L
- C H-C276
- D Titanium

Mesh Lining

Insert Desired
3-digit Mesh Size

Example:
100 = 100 mesh
050 = 50 mesh

Blank - No Lining,
Standard 1/32"
Perforated 316
Basket

Inlet/Outlet Connection**

- | | |
|--------------------|-----------------|
| A 1" NPTF | I 4" RF Flange |
| B 1 1/2" NPTF | J 6" RF Flange |
| C 2" NPTF | K 8" RF Flange |
| D 3" NPTF | L 10" RF Flange |
| E 1" RF Flange | M 12" RF Flange |
| F 1 1/2" RF Flange | N 24" RF Flange |
| G 2" RF Flange | |
| H 3" RF Flange | |

ID/OD Finish

- 1 Stock Material
- 2 Stock Material/Electropolish
- 3 Bead Blast
- 4 Primed/Painted Clear Lake Blue

O-Ring Material

- E EPDM
- S Silicon
- V Viton
- VT PTFE Encap. Viton
- T PTFE, Teflon
- B Buna
- ST PTFE Encap. Silicon

ASME Design

- 1 ASME Code
- 2 ASME Code with Stamp
- 3 ASME Code with Stamp & NB Reg.

Design Pressure

- Blank 150psi
- 250 250 psi
- 500 500 psi

CLEAR LAKE FILTRATION

"CLEARLY THE BEST"
P: 281-534-9112 F: 281-534-9269

www.clearlakefiltration.com

**Any other Flange size insert the Flange size followed by RF (Example: 14" = 14RF)