

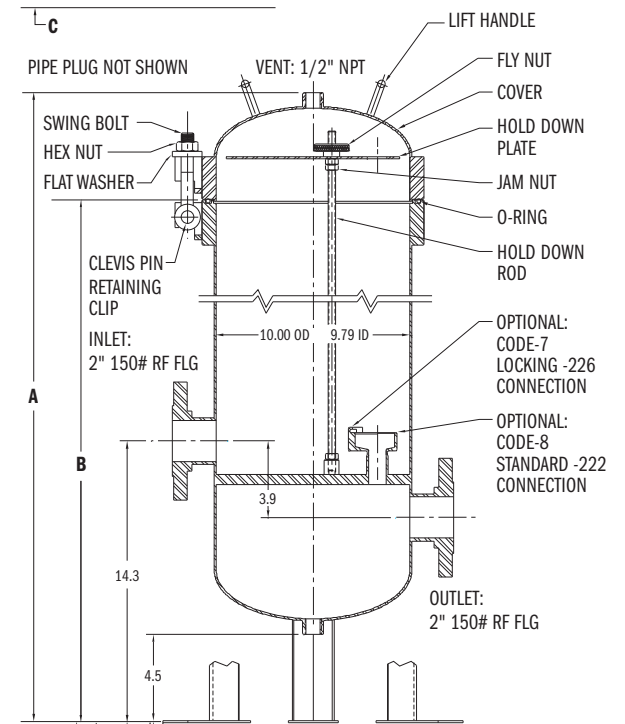
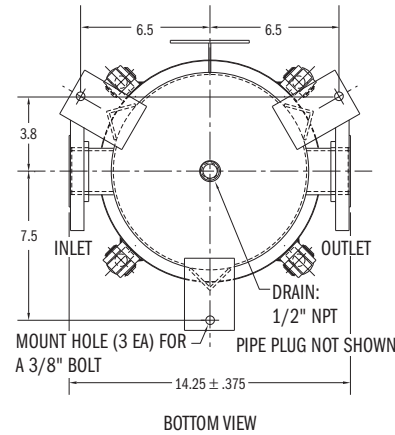
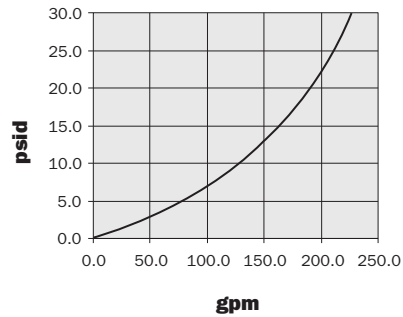
Industrial Design

Off-Set, 7 Round

Element Length	(A) Overall Height	(B) Shell Height	(C) Minimum Distance Required to Remove Cartridge
10 - inch:	30.2" (76.7 cm)	24.7" (62.7 cm)	37.7" (95.8 cm)
20 - inch:	40.2" (102.1 cm)	34.7" (88.1 cm)	57.7" (146.6 cm)
30 - inch:	50.2" (127.5 cm)	44.7" (113.5 cm)	77.7" (197.4 cm)
40 - inch:	60.2" (152.9 cm)	54.7" (138.9 cm)	97.7" (248.2 cm)

Property of Clear Lake Filtration
Proprietary and Confidential.

Typical Water Flow Rate



Building a Model Number

Ordering is easy when you follow the Model Number Builder below. Reading from left to right, select which specifications you require and fill in the box with the code for that option.

ND	2	E					S			
Element Length	Cartridge Connection	Inlet/Outlet Connection	Vent/Drain Connection	ID/OD Finish	Closure Type	Jacket Configuration	ASME Code	Gasket Material		
1 10"	1 DOE	E 2" RF Flange	A 1/4" NPTF	1 SM/150/EP	S Swing Bolt	N No jacket	1 Non-Code	E EPDM		
2 20"	2 Cup & Post	F 3" RF Flange	B 1/2" NPTF	2 SM/150/No EP		J Jacket w/ 1/2" NPTF I/O	2 ASME Code	S Silicon		
3 30"	3 020	G 2" NPTM	C 1" NPTF	3 SM/BB/EP			3 ASME Code w/ U-stamp	V Viton		
4 40"	7 226	H 3" NPTM	D No Vent	4 SM/BB/No EP				VT PTFE Encap. Viton		
	8 222							T PTFE Teflon		
								B Buna		
								ST PTFE Encap. Silicone		

This portion of the model is already completed for you.

ND = Industrial Design
2 = Off-Set
E = 7 Round

CLEAR LAKE FILTRATION
"CLEARLY THE BEST"
P: 281-534-9112 F: 281-534-9269
www.clearlakefiltration.com

ND Series